

## Experience year-round comfort with Phantom Screens

Retractable Screens for Doors, Windows & Outdoor Spaces





## Table of Contents

### **The Phantom Story**

#### **Home Comfort**

#### **For DOORS**

##### **Phantom Retractable Door Screens**

- Applications
- Customization
- Sizing
- Drawings & Specs

##### **Phantom Oversized Retractable Door Screens**

- Applications
- Customization
- Sizing
- Drawings & Specs

#### **For WINDOWS**

##### **Phantom Retractable Window Screens**

- Applications
- Customization
- Sizing
- Drawings & Specs

##### **Phantom Retractable Wood Window Screens**

- Applications
- Customization
- Sizing
- Drawings & Specs

#### **Outdoor Comfort**

#### **For OUTDOOR SPACES**

##### **Phantom Motorized Retractable Screens**

- Applications
- Customization
- Controls and Automation
- Sizing
- Drawings & Specs

## The Phantom Story



Since 1992, Phantom Screens has expertly manufactured and professionally installed industry leading retractable screens in North America.

Known for superior quality and elegant design, Phantom Screens enables home & business owners to experience a new level of comfort, style and versatility.

### FEATURES & BENEFITS

Retracts out of sight

Keeps the bugs out

Blends into your home décor

Maintains your view to the outdoors

Allows fresh air ventilation

Provides climate control

Expands your living space

Protects against UV rays

Professionally installed

Backed by a limited lifetime warranty



Eliminate unwanted bugs



Increase natural air-flow



Reduce UV rays and solar heat



Provide climate control



Reduce cooling costs



Hassle-free installation included



Industry-leading warranty

## Screens for your home comfort.

### Let the outdoors in.

Enjoy the outside, inside – naturally. Whether you have a million dollar view or you simply love the scenery surrounding your home. With our screens you will enjoy it even more, unhampered, bug-free and allows you to enjoy fresh air and your home overall.

Our retractable door and window screens are designed to disappear when you don't need them. Let the sunshine in and let your home shine with it.



Phantom Screens  
**Retractable Door  
Screens**



## Phantom Screens | Retractable Door Screens



There's nothing like being able to leave your door wide open to enjoy the breeze, especially towards the end of a hot summer day. Phantom's retractable door screens are insect screens which disappear out of sight into a discreet housing, giving you fresh air without the bugs – and won't spoil the look of your home. They come in a wide variety of colors, sizes and mesh types, perfectly matching with your décor.

### FEATURES & BENEFITS

Keeps the bugs out

Easy in and out access

Protection from the sun & UV rays

Retracts horizontally

Built-in lubricant

Glides smoothly along tracks

Easy operation with secure closure

Latching or magnet handle types

Various mesh options

Wood grain & custom color options



Eliminate unwanted bugs



Increase natural air-flow



Reduce UV rays and solar heat



Reduce cooling costs



Hassle-free installation included



Industry-leading warranty

## Retractable Door Screens | Applications

### OTHER AVAILABLE PRODUCT FOR DOORWAYS

For openings larger than 8 feet wide, or for added security using fully retained mesh, see our *Phantom Oversized Retractable Door Screens*.

Phantom's door screens are custom made, professionally installed and designed to fit a variety of doorways.



Single out-swing/in-swing doors

## Retractable Door Screens | Applications

### OTHER AVAILABLE PRODUCT FOR DOORWAYS

For openings larger than 8 feet wide, or for added security using fully retained mesh, see our *Phantom Oversized Retractable Door Screens*.

Phantom's door screens are custom made, professionally installed and designed to fit a variety of doorways.



French doors



## Retractable Door Screens | Applications

### OTHER AVAILABLE PRODUCT FOR DOORWAYS

For openings larger than 8 feet wide, or for added security using fully retained mesh, see our *Phantom Oversized Retractable Door Screens*.

Phantom's door screens are custom made, professionally installed and designed to fit a variety of doorways.



Sliding patio doors

## Retractable Door Screens | Applications

### OTHER AVAILABLE PRODUCT FOR DOORWAYS

For openings larger than 8 feet wide, or for added security using fully retained mesh, see our *Phantom Oversized Retractable Door Screens*.

Phantom's door screens are custom made, professionally installed and designed to fit a variety of doorways.



Over-height doors

## Retractable Door Screens | Customization

### COLOR OPTIONS

#### Standard Colors



Classic White   Calico Linen   Slivered Almond   Sandal Wood   Driftwood Beige   Hartford Green   Rideau Brown   Coastal Grey   Mineral Bronze   Phantom Black

#### Wood Grain



Light Knotty Pine   Light Fir   Light Oak   Dark Knotty Pine   Dark Oak   Light Cherry   Dark Acacia   Light Ash   Light Cedar



Dark Fir   Dark Cherry   Dark Ash   Dark Cedar   Dark Walnut   Mahogany

#### Custom Color

Phantom Screens also offers a custom color matching program to blend our screens with any color scheme.

*\*Please note that the appearance of the colors illustrated will differ from the actual coated samples or finished articles.*

### MESH AND FABRIC OPTIONS

All mesh and fabric options seal out insects, reduce heat and glare, as well as prevent fading of furnishing.



**Insect**  
Reduces up to 55% of UV rays



**Solar**  
Reduces up to 95% of UV rays

One of the great things about choosing a door screen from Phantom is that you have a couple of closure options when it comes to securing your screen. You can choose either a latching handle or magnet handle.

## Handle Types



### Latching Handle

Chosen by 90% of our customers, it has an integrated quick release latch in the handle making the screen easy to use and secure from unintended openings.



### Magnet Handle

Our simple, original handle uses a magnet closure system that allows for easy release and breakaway upon impact to protect the mesh.

## Installation Options

In-jamb mount  
Surface mount

## Retractable Door Screens | Sizing

Phantom's door screens are custom made and professionally installed for all door types. Maximum height and width are detailed in the chart below.

	WIDTH	HEIGHT
SINGLE	Max 48"	Up to 100"
UNIT	Max 36"	Up to 120"
DOUBLE	Max 96"	Up to 100"
UNIT	Max 72"	Up to 120"



## Surface Mount

### Door screen Design

### Specifications

(external assembled view)

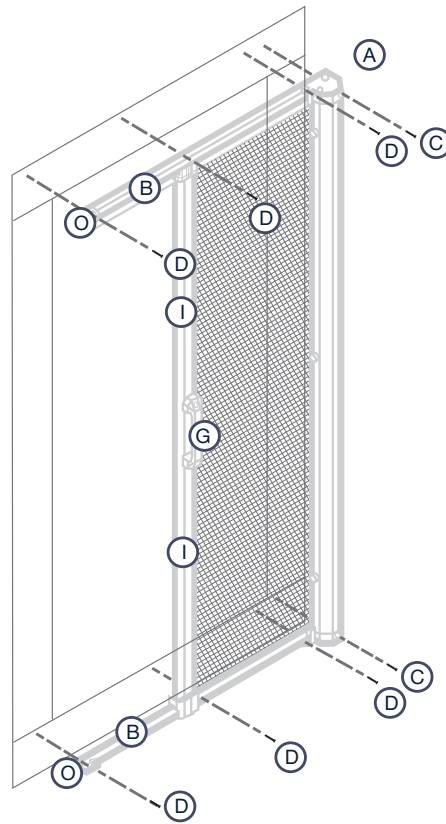
#### Parts Specs

- A. Aluminum housing complete with nylon end caps 1-7/8"W x 2-49/64"D
- B. Aluminum track
- C. #8 x 2-1/2" flathead screw
- D. #6 x 3/4" panhead screw
- E. Screws position on mounting surface
- F. Bumpons - 1/2" Ø x 1/4"H
- G. Outside nylon Latch and Release handle
- H. Inside nylon Latch and Release handle
- I. Aluminum slidebar
- J. #6 x 5/8" panhead TEK screw
- K. Chrome plated zinc lever components
- L. # 6/32 x 1-5/8" S.S. bolt
- M. # 6/32 locknut S.S.
- N. Handle screw caps (2 per handle)
- O. Track catch
- P. Outside Nylon Handle
- Q. Inside Nylon Handle
- R. Corrosion resistant steel magnet strike plate
- S. #6 x 3/4" #5 flathead screw
- T. Nylon magnet housing

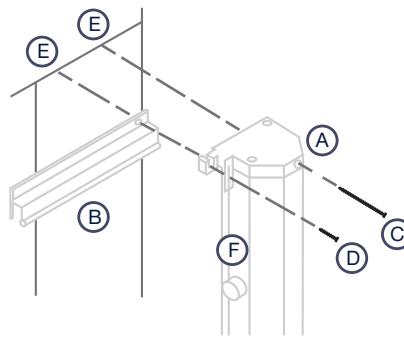
FOR ILLUSTRATIVE PURPOSES ONLY  
NOT DRAWN TO SCALE

All components are color matched except mesh\*

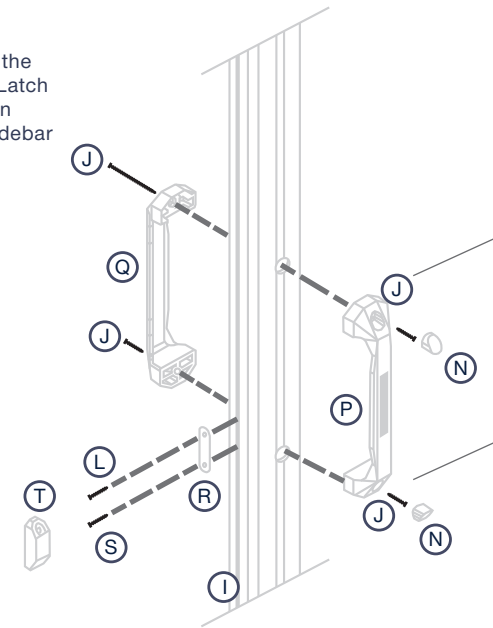
\*does not include wood grain - components are solid color



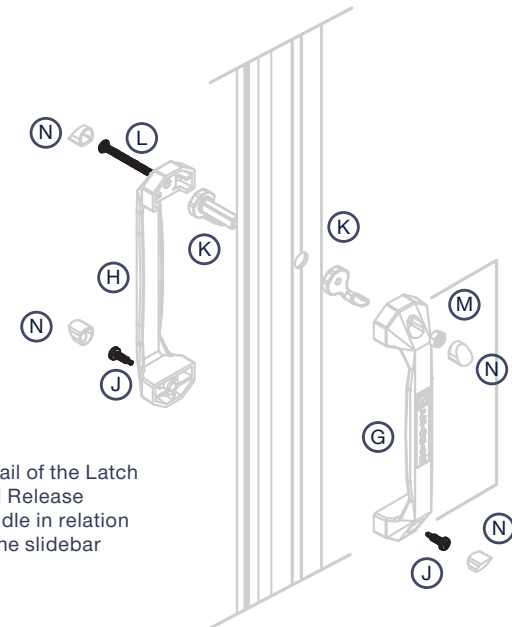
Detail of track position in relation to the housing and housing end cap Head view



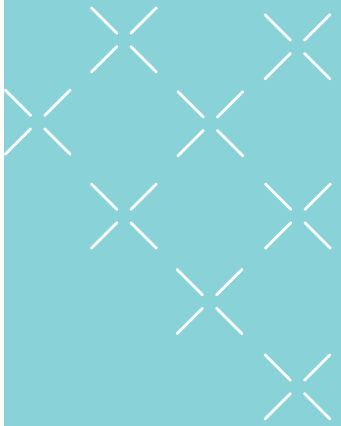
Detail of the Magnet Latch in relation to the slidebar



Detail of the Latch and Release handle in relation to the slidebar



Phantom Screens  
**Oversized  
Retractable Door  
Screens**



## Phantom Screens | Oversized Retractable Door Screens



There's nothing like being able to leave your multi-panel door system wide open to enjoy the breeze without letting the bugs in. Phantom's retractable screens for oversized door systems disappear out of sight when not in use, never compromising your home's style or million dollar view!

### FEATURES & BENEFITS

Keeps the bugs out

Easy in and out access

Protection from the sun & UV rays

Retracts horizontally

Customizable stopping points along track

Mesh completely secured in track

Built in lubricant

Easy operation with secure closure

Thumb latch closure system

Various mesh & color options



Eliminate unwanted bugs



Increase natural air-flow



Reduce UV rays and solar heat



Reduce cooling costs



Hassle-free installation included



Industry-leading warranty



## Oversized Retractable Door Screens | Applications

### ADDITIONAL APPLICATIONS

Lift and slide doors  
French doors

### OTHER AVAILABLE PRODUCT FOR MULTI-PANEL SYSTEMS

For screens that can appear at the touch of a button or smart phone app, see our *Phantom Retractable Motorized Screens*.

Phantom's oversized door screens are custom made and professionally installed to fit a wide variety of multi-panel door systems.



Folding glass walls

## Oversized Retractable Door Screens | Applications

### ADDITIONAL APPLICATIONS

Lift and slide doors  
French doors

### OTHER AVAILABLE PRODUCT FOR MULTI-PANEL SYSTEMS

For screens that can appear at the touch of a button or smart phone app, see our *Phantom Retractable Motorized Screens*.

Phantom's oversized door screens are custom made and professionally installed to fit a wide variety of multi-panel door systems.



Sliding glass walls

## Oversized Retractable Door Screens | Applications

### ADDITIONAL APPLICATIONS

Lift and slide doors  
French doors

### OTHER AVAILABLE PRODUCT FOR MULTI-PANEL SYSTEMS

For screens that can appear at the touch of a button or smart phone app, see our *Phantom Retractable Motorized Screens*.

Phantom's oversized door screens are custom made and professionally installed to fit a wide variety of multi-panel door systems.



Stacking door systems

## Oversized Retractable Door Screens | Customization

### COLOR OPTIONS

#### Standard Colors

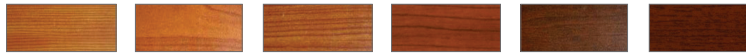


Classic White   Rideau Brown   Mineral Bronze   Anodized Silver   Phantom Black

#### Wood Grain



Light Knotty Pine   Light Fir   Light Oak   Dark Knotty Pine   Dark Oak   Light Cherry   Dark Acacia   Light Ash   Light Cedar



Dark Fir   Dark Cherry   Dark Ash   Dark Cedar   Dark Walnut   Mahogany

#### Custom Color

Phantom Screens also offers a custom color matching program to blend our screens with any color scheme.

*\*Please note that the appearance of the colors illustrated will differ from the actual coated samples or finished articles.*

### MESH AND FABRIC OPTIONS

All mesh and fabric options seal insects out and provide some level of heat, glare and UV reduction.



**Insect**  
Reduces up to 55% of UV rays



**Solar**  
Reduces up to 95% of UV rays

## Installation Options

Surface mounted

Inside jamb mounted

Recessed bottom track

Various threshold adaptors to integrate with any type of doorway

## Oversized Retractable Door Screens | Sizing

Phantom's oversized door screens are custom made and professionally installed for all openings. The maximum size for this screen is up to 12 feet wide and 10 feet high for a single unit and 24 feet wide and 10 feet high for a double unit.

	WIDTH	HEIGHT
SINGLE UNIT	Max 144"	Max 120"
DOUBLE UNIT	Max 288"	Max 120"

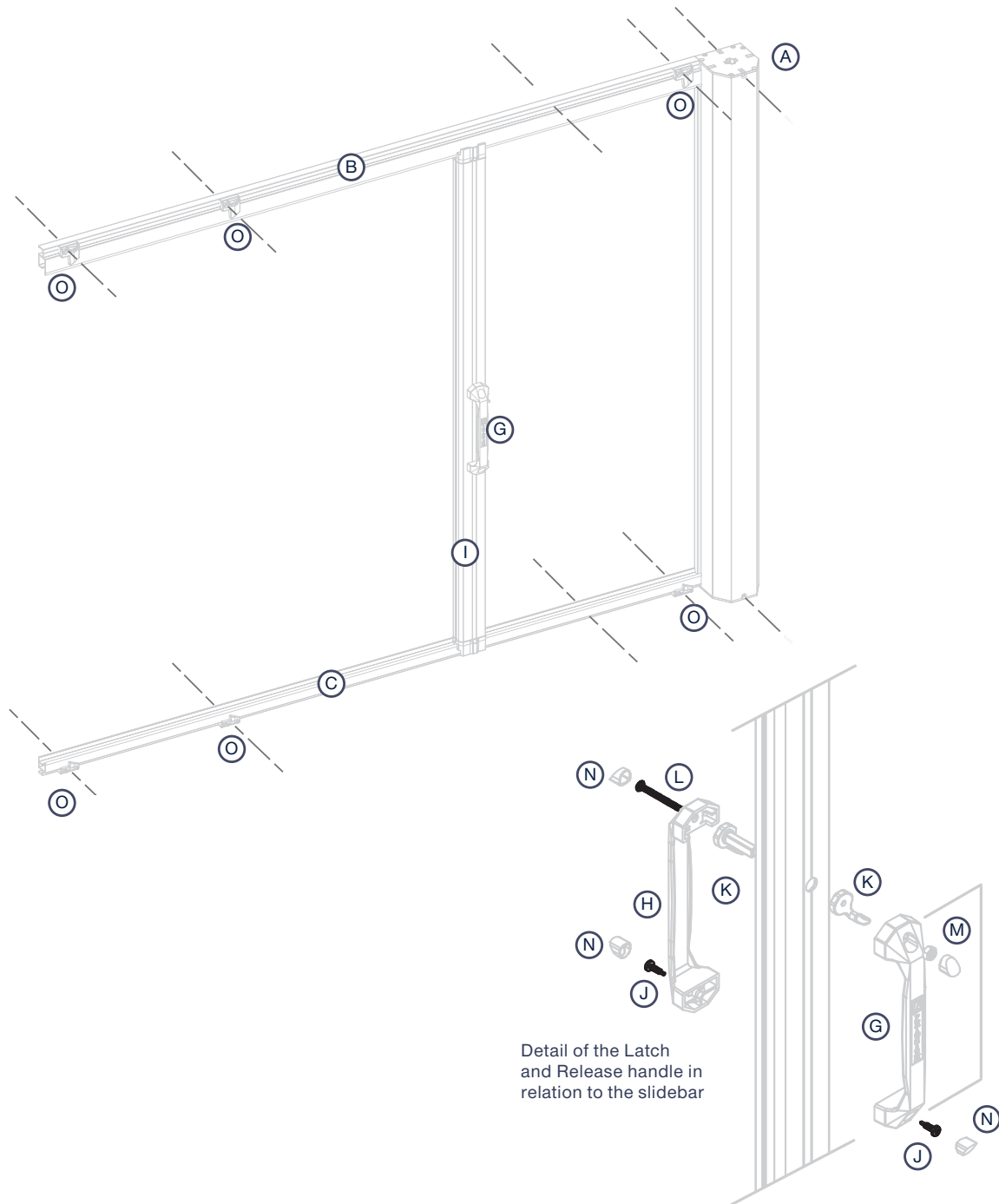
## Surface Mount

Manual wall screen  
specification

(external assembled view)

### Parts Specs

- A. Aluminum housing complete with nylon end caps 3-3/16" W x 3-3/16" D
- B. Adjustable top track assembly
- C. Bottom track assembly
- D. Track mounting screws #8 1" panhead TEK screw or #8 1.5" panhead
- E. #8 x 4" flathead screw
- F. #6 x 3/4" panhead screw
- G. Outside nylon Latch and Release handle
- H. Inside nylon Latch and Release handle
- I. Aluminum slidebar
- J. #6 x 5/8" panhead TEK screw
- K. Chrome plated zinc lever components
- L. # 6/32 x 1-5/8" S.S. bolt
- M. # 6/32 locknut S.S.
- N. Handle screw caps (2 per handle)
- O. Track catch



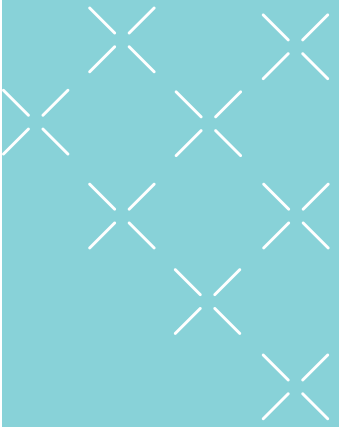
FOR ILLUSTRATIVE PURPOSES ONLY  
NOT DRAWN TO SCALE

All components are color matched except mesh\*

\*does not include wood grain - components are solid color

Phantom Screens

**Retractable  
Window Screens**



## Phantom Screens | Retractable Window Screens



The trouble with traditional fixed window screens is that they're always there – compromising your view, making window cleaning difficult and detracting from the aesthetics of your home. With Phantom's retractable window screens you can enjoy insect-free ventilation and your view.

### FEATURES & BENEFITS

Keeps the bugs out

Maintains your view to the outdoors

Blends into your home décor

Protects against UV rays

Retracts vertically

Built-in latch

Mesh retention system

Easy grasping handle

Various mesh options

Wood grain, custom color options



Eliminate unwanted bugs



Increase natural air-flow



Reduce UV rays and solar heat



Reduce cooling costs



Hassle-free installation included



Industry-leading warranty



## Retractable Window Screens | Applications

### ADDITIONAL APPLICATIONS

Sliding  
Tilt and turn

### OTHER AVAILABLE PRODUCT FOR WINDOWS

For homes with natural wood windows, see our *Phantom Retractable Wood Window Screens*, or for screens that can appear at the touch of a button or smart phone app, see our *Phantom Motorized Retractable Screens*.

Phantom's window screens are custom made and professionally installed to fit all window types.



Single-hung

## Retractable Window Screens | Applications

### ADDITIONAL APPLICATIONS

Sliding  
Tilt and turn

### OTHER AVAILABLE PRODUCT FOR WINDOWS

For homes with natural wood windows, see our *Phantom Retractable Wood Window Screens*, or for screens that can appear at the touch of a button or smart phone app, see our *Phantom Motorized Retractable Screens*.

Phantom's window screens are custom made and professionally installed to fit all window types.



Double-hung

## Retractable Window Screens | Applications

### ADDITIONAL APPLICATIONS

Sliding  
Tilt and turn

### OTHER AVAILABLE PRODUCT FOR WINDOWS

For homes with natural wood windows, see our *Phantom Retractable Wood Window Screens*, or for screens that can appear at the touch of a button or smart phone app, see our *Phantom Motorized Retractable Screens*.

Phantom's window screens are custom made and professionally installed to fit all window types.



Casement

## Retractable Window Screens | Applications

### ADDITIONAL APPLICATIONS

Sliding  
Tilt and turn

### OTHER AVAILABLE PRODUCT FOR WINDOWS

For homes with natural wood windows, see our *Phantom Retractable Wood Window Screens*, or for screens that can appear at the touch of a button or smart phone app, see our *Phantom Motorized Retractable Screens*.

Phantom's window screens are custom made and professionally installed to fit all window types.

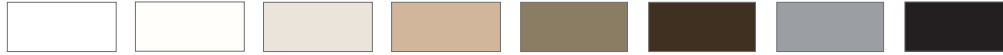


Awning

## Retractable Window Screens | Customization

### COLOR OPTIONS

#### Standard Colors



Classic White

Calico Linen

Slivered Almond

Sandal Wood

Driftwood Beige

Rideau Brown

Coastal Grey

Phantom Black

Choose from one of eight standard colors or decorative wood grain finishes.

#### Wood Grain



Light Knotty Pine

Light Fir

Light Oak

Dark Knotty Pine

Dark Oak

Light Cherry

Dark Acacia

Light Ash

Light Cedar



Dark Fir

Dark Cherry

Dark Ash

Dark Cedar

Dark Walnut

Mahogany

#### Custom Color

Phantom Screens also offers a custom color matching program to blend our screens with any color scheme.

*\*Please note that the appearance of the colors illustrated will differ from the actual coated samples or finished articles.*

### MESH AND FABRIC OPTIONS

All mesh and fabric options seal out insects, reduce heat and glare, as well as prevent fading of furnishing.



#### Insect

Reduces up to 55% of UV rays



#### Solar

Reduces up to 95% of UV rays



#### Privacy

Reduces up to 100% of UV rays

## Installation Options

In-jamb mount  
Surface mount

## Retractable Window Screens | Sizing

Phantom's window screens are custom made and professionally installed for virtually any window application. Maximum height and width are detailed in the chart below.

	WIDTH	HEIGHT
SINGLE	13 1/2" to 84"	Max 90"

NOTE: Width/height ratio limitations may apply. Your Phantom Screens Representative will confirm suitability based on site dimensions.

## Surface Mount

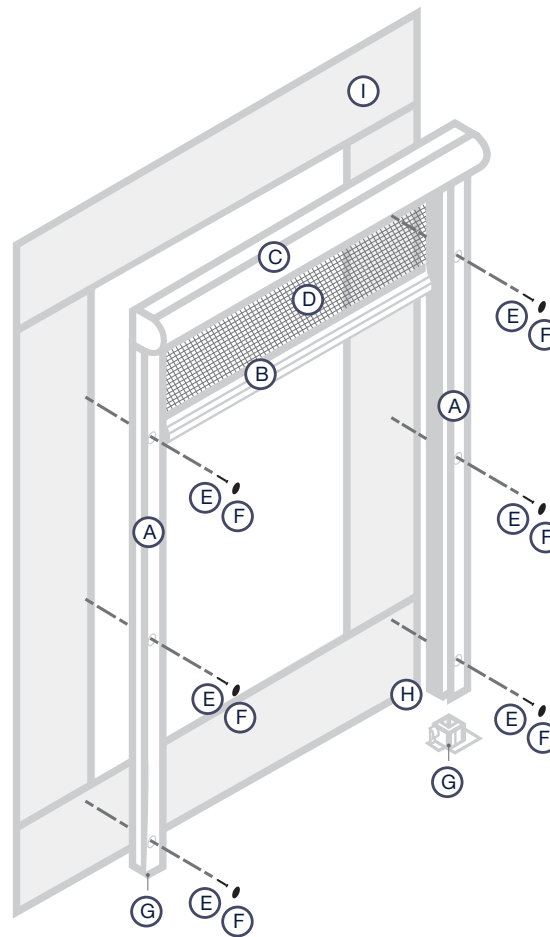
### Window Screen Design

#### Specifications

(external assembled view)

#### Parts Specs

- A. Aluminum track
  - Standard version - 57/64" W x 1-3/8" H
  - Narrow version - 57/64" W x 29/32" H
- B. Aluminum slidebar 3/32" W x 1-13/32" H
- C. Aluminum housing assembly 2-19/64" W x 2-7/64" H
- D. PVC coated fiberglass mesh
- E. Flathead screw #6 x 3/4" (#5 head) - depending on mounting surface
- F. Track screw hole cover
- G. Track latch
- H. Mesh retention pile - inside full track length (both sides)
- I. Mounting surface



FOR ILLUSTRATIVE PURPOSES ONLY  
NOT DRAWN TO SCALE

All components are color matched except mesh\*

\*does not include wood grain - components are solid color

## In-Jamb Mount

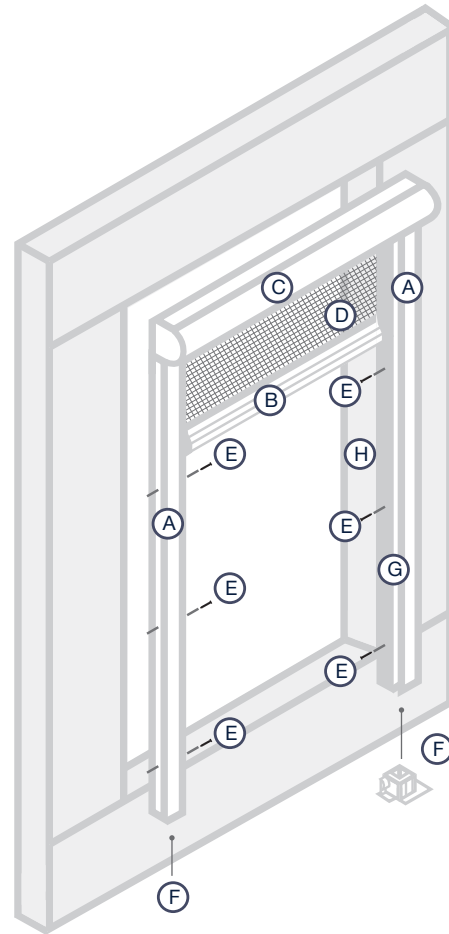
### Window Screen Design

#### Specifications

(external assembled view)

#### Parts Specs

- A. Aluminum track Standard version - 57/64" W x 1-3/8" H  
Narrow version - 57/64" W x 29/32" H
- B. Aluminum slidebar 3/32" W x 1-13/32" H
- C. Aluminum housing assembly 2-19/64" W x 2-7/64" H
- D. PVC coated fiberglass mesh
- E. Flathead screw #6 x 3/4" (#5 head)-  
depending on mounting surface
- F. Track latch
- G. Mesh retention pile - inside full track length  
(both sides)
- H. Mounting surface



FOR ILLUSTRATIVE PURPOSES ONLY  
NOT DRAWN TO SCALE

All components are color matched except mesh\*

\*does not include wood grain - components are solid color



Phantom Screens

**Retractable Wood  
Window Screens**



## Phantom Screens | Retractable Wood Window Screens



They're available for all types and sizes of windows – even custom wood windows – and can be used for insect protection or solar shading. So when your home is basking in sunshine you can open your windows and welcome the breeze!

### FEATURES & BENEFITS

Keeps the bugs out

Maintains your view to the outdoors

Protects against UV rays

Retracts vertically

Wide range of veneered wood finishes

Built-in latch

Mesh retention system

Ergonomically designed handle

Optional removable tracks

Completely sustainable



Eliminate unwanted bugs



Increase natural air-flow



Reduce UV rays and solar heat



Reduce cooling costs



Hassle-free installation included



Industry-leading warranty

## Retractable Wood Window Screens | Application

### ADDITIONAL APPLICATIONS

Single-hung  
Double-hung  
Sliding  
Awning

### OTHER AVAILABLE PRODUCT FOR WOOD WINDOWS

For homes that do not require natural wood window screens, see our *Phantom Retractable Window Screens*, or for screens that can appear at the touch of a button or smart phone app, see our *Phantom Motorized Retractable Screens*.

Phantom's wood window screens are custom made and professionally installed to fit all custom wood window types.



Casement

## Retractable Wood Window Screens | Customization

### COLOR OPTIONS

Wood Veneer

Choose from one of seven wood veneer options.



Pine

Mahogany

Red Oak

Walnut

Cherry

Fir

Alder

Completely Stainable

Phantom's wood window screens can be stained to match any wood grain finish, thereby allowing them to blend perfectly with your custom wood windows.

*\*Please note that the appearance of the colors illustrated will differ from the actual coated samples or finished articles.*

### MESH AND FABRIC OPTIONS

Phantom's wood window screens feature BetterVue® mesh which delivers insect protection with excellent visibility, making your view distinct and more vibrant.



**Insect**

Reduces up to 36% of UV rays

## Installation Options

In-jamb mount

## Retractable Wood Window Screens | Sizing

Phantom's wood window screens are custom made and professionally installed for any wood window application. Maximum height and width are detailed in the chart below.

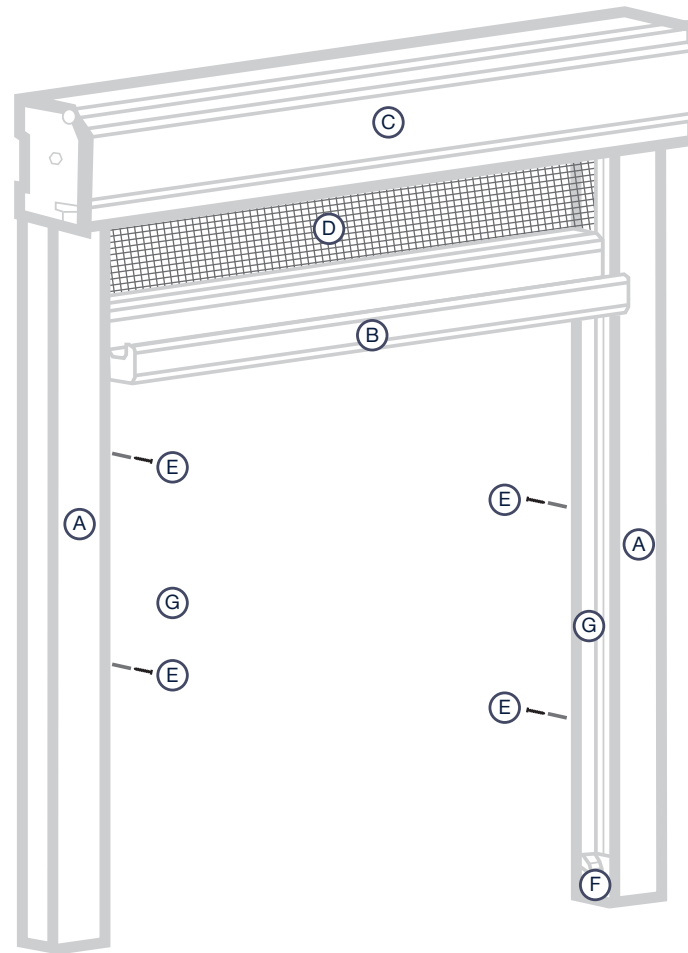
	WIDTH	HEIGHT
SINGLE	18" to 72"	Max 78"

### In-Jamb Mount Only

#### Wood Window Screen Design Specifications (external assembled view)

#### Parts Specs

- A. Veneered aluminum track  
Fixed - 7/8"W x 1-11/32"H  
Removable - 7/8"w x 1-11/3"H
- B. Wooden slidebar  
1-1/2"W x 1-13/32"H
- C. Veneered aluminum housing assembly  
1-29/32"W x 2-1/4"H
- D. PVC coated fiberglass mesh
- E. Flathead screw #6 x 3/4" (#5 head) -  
depending on mounting surface
- F. Track latch
- G. Mesh retention pile - inside full track length  
(both sides)



FOR ILLUSTRATIVE PURPOSES ONLY  
NOT DRAWN TO SCALE

All components are color matched except mesh\*

\*does not include wood grain - components are solid color

## Screens for your outdoor comfort.

### Let the indoors out.

Enjoy all the comforts – and chicness – of the inside of your home right outside! Now is the perfect time to pay attention to your patio. It may be outdoors, but it's still a part of your home – as such, it should feel connected to the rest of your space, so let's take this outside.

Create outdoor spaces as comfortable and beautiful as your indoor ones. Our motorized retractable screens can be customized for any climate or season, and they disappear at the touch of a button.



Phantom Screens

**Motorized  
Retractable  
Screens**





## Phantom Screens | Motorized Retractable Screens



Imagine being able to move seamlessly between indoor and outdoor spaces – without the intense glare of the sun or pesky bugs. You can, thanks to Phantom’s retractable screens for outdoor spaces. Motorized screens appear at the touch of a button and disappear when you don’t need them. Perfect for patios, porches, lanais, decks or outdoor kitchens, these custom made and professionally installed screens give you fresh air, shade from the sun, climate control, protection from insects or a bit of privacy.

### FEATURES & BENEFITS

Keeps the bugs out

Allows fresh air ventilation

Expands your living space

Maintains your view to the outdoors

Lowers air conditioning costs

Provides climate control

Motorized screen – retracts vertically

Optional sun and wind sensors

In-wall or hand-held remote controls

Various mesh, fabric & vinyl options

Wood grain & custom color options



Eliminate unwanted bugs



Increase natural air-flow



Reduce UV rays and solar heat



Provide climate control



Reduce cooling costs



Hassle-free installation included



Industry-leading warranty

## Motorized Retractable Screens | Applications

### ADDITIONAL APPLICATIONS

Verandas/Lanais  
Outdoor kitchens  
Lift and slide door systems  
Loggias

### OTHER AVAILABLE PRODUCT FOR OUTDOOR SPACES

For high traffic areas that require timely in and out access, or for a manual screen option, see our *Phantom Oversized Retractable Door Screens*.

Phantom's motorized screens are custom made and professionally installed to fit a wide variety of outdoor spaces.



Patios

## Motorized Retractable Screens | Applications

### ADDITIONAL APPLICATIONS

Verandas/Lanais  
Outdoor kitchens  
Lift and slide door systems  
Loggias

### OTHER AVAILABLE PRODUCT FOR OUTDOOR SPACES

For high traffic areas that require timely in and out access, or for a manual screen option, see our *Phantom Oversized Retractable Door Screens*.

Phantom's motorized screens are custom made and professionally installed to fit a wide variety of outdoor spaces.



Folding & sliding glass walls

## Motorized Retractable Screens | Applications

### ADDITIONAL APPLICATIONS

Verandas/Lanais  
Outdoor kitchens  
Lift and slide door systems  
Loggias

### OTHER AVAILABLE PRODUCT FOR OUTDOOR SPACES

For high traffic areas that require timely in and out access, or for a manual screen option, see our *Phantom Oversized Retractable Door Screens*.

Phantom's motorized screens are custom made and professionally installed to fit a wide variety of outdoor spaces.



Porches

## Motorized Retractable Screens | Applications

### ADDITIONAL APPLICATIONS

Verandas/Lanais  
Outdoor kitchens  
Lift and slide door systems  
Loggias

### OTHER AVAILABLE PRODUCT FOR OUTDOOR SPACES

For high traffic areas that require timely in and out access, or for a manual screen option, see our *Phantom Oversized Retractable Door Screens*.

Phantom's motorized screens are custom made and professionally installed to fit a wide variety of outdoor spaces.



Balconies

## Motorized Retractable Screens | Applications

### ADDITIONAL APPLICATIONS

Verandas/Lanais  
Outdoor kitchens  
Lift and slide door systems  
Loggias

### OTHER AVAILABLE PRODUCT FOR OUTDOOR SPACES

For high traffic areas that require timely in and out access, or for a manual screen option, see our *Phantom Oversized Retractable Door Screens*.

Phantom's motorized screens are custom made and professionally installed to fit a wide variety of outdoor spaces.



Large picture windows

## Motorized Retractable Screens | Customization

### COLOR OPTIONS

#### Standard Colors

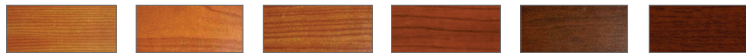


Classic White   Calico Linen   Slivered Almond   Sandal Wood   Driftwood Beige   Rideau Brown   Coastal Grey   Mineral Bronze   Phantom Black

#### Wood Grain



Light Knotty Pine   Light Fir   Light Oak   Dark Knotty Pine   Dark Oak   Light Cherry   Dark Acacia   Light Ash   Light Cedar



Dark Fir   Dark Cherry   Dark Ash   Dark Cedar   Dark Walnut   Mahogany

#### Custom Color

Phantom Screens also offers a custom color matching program to blend our screens with any color scheme.

*\*Please note that the appearance of the colors illustrated will differ from the actual coated samples or finished articles.*

### MESH AND FABRIC OPTIONS

All mesh and fabric options seal out insects, reduce heat and glare, as well as prevent fading of furnishing.



**Insect**  
Reduces up to 55% of UV rays



**Solar**  
Reduces up to 95% of UV rays



**Privacy**  
Reduces up to 100% of UV rays



**Climate Control**  
Reduces up to 100% of UV rays

### VINYL OPTIONS

Clear vinyl enables you to control the temperature in your outdoor living space. Available in four perimeter colors.



Black   Sand   White   Brown

## ARCHITECTURAL INTEGRATION

Customized to each building project, Phantom's motorized screens merge perfectly with the décor to maintain the integrity of your design. These retractable screens can be recessed from view or mounted on existing structures. Motorized screens can be integrated into every type of architectural style including wood, brick, stucco, natural stone and concrete.



Recessed in Roman archways



Recessed in columns



Natural stone and wood



Stucco, brick and concrete

## DUAL ROLLER APPLICATION

Combines clear vinyl units with standard insect or solar mesh units for maximum comfort.





## Motorized Retractable Screens | Controls and Automation

Phantom Screens has partnered with Somfy® to provide a wide range of remote controls and sensors for Phantom's motorized screens.



Some of Phantom's motorized screens come with Somfy's Maestria™ 50 RTS motor. This offers smart functions such as obstacle detection and automatic adjustment which protect carrier products, prevent fabric damage and assure perfect tension.

In addition, Phantom's motorized screens can be integrated into most home automation systems including Lutron®, Crestron® and smartphone devices.

### HAND-HELD REMOTES

All Somfy's Telis and Situo hand-held remotes feature Radio Technology Somfy® (RTS) providing push button control. The Telis and Situo RTS collections are available in single or multiple channel versions. Each channel can be used to operate one screen or a group of screens at the same time from one remote control.



Telis and Situo hand-held remotes

### WIRELESS SWITCHES

Somfy's DecoFlex WireFree™ switches are completely wireless, battery powered and available in three colors - white, ivory, and black.



White

### SUN AND WIND SENSORS



#### ONDEIS™ WIRE FREE RTS SENSOR

A wireless sun & rain sensor, powered with an integrated solar cell, that can automatically adjust motorized screens based on the sun's intensity or the damaging rain.



#### EOLIS RTS SENSOR

A wind sensor that can be used to automatically retract your screens into their protective housings in stormy conditions.



#### SOLIRIS RTS SENSOR

A combined sun and wind sensor that automatically adjusts motorized screens depending on sun and wind intensity.

## Installation Options

Surface Mount  
Recessed Mount

## Motorized Retractable Screens | Sizing

Phantom's motorized screens are custom fit and professionally installed for single openings as large as 40 feet wide by 16 feet tall. Maximum height and width are detailed in the chart below.

	WIDTH	HEIGHT
2 1/2" Roller	26" to 120"	Max 96"
4" Roller	34 3/4" to 240" 300" to 480"	Max 132" Max 132"
5" Roller	34 3/4" to 300"	Max 192"

NOTE: For clear vinyl sizing,  
contact your Phantom Screens  
Representative.

## Wider, stronger, bigger than ever

Thanks to special technology introduced by the Phantom Screens team, our motorized screens can now cover far beyond the industry standard of 25 feet wide without any bowing in the roller, or sagging in the mesh. Because of unique carriers which we install into the housing of the unit, the product is now able to extend a ground breaking 40 feet!

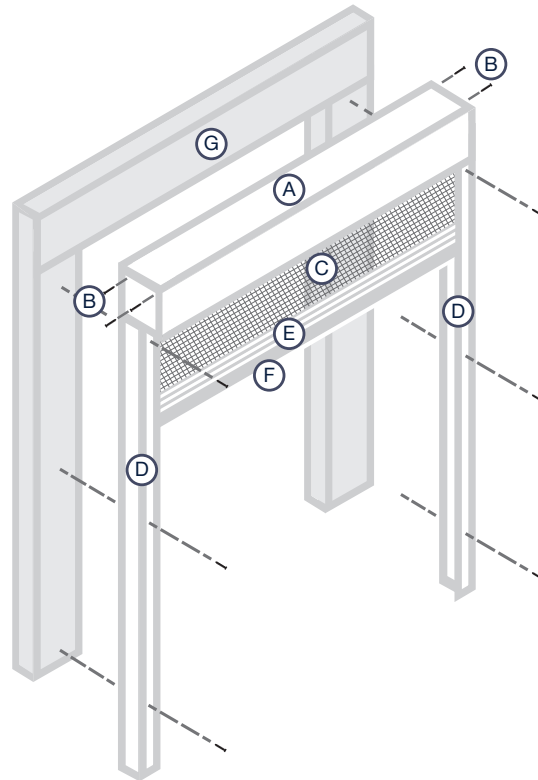


## Surface Mount

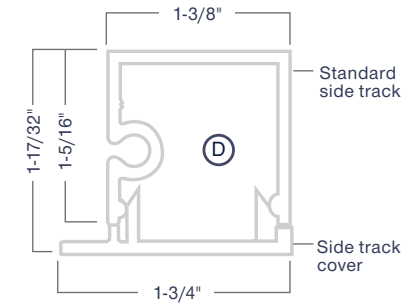
Motorized wall screen design specifications system with standard side track (external assembled view)

### Parts Specs

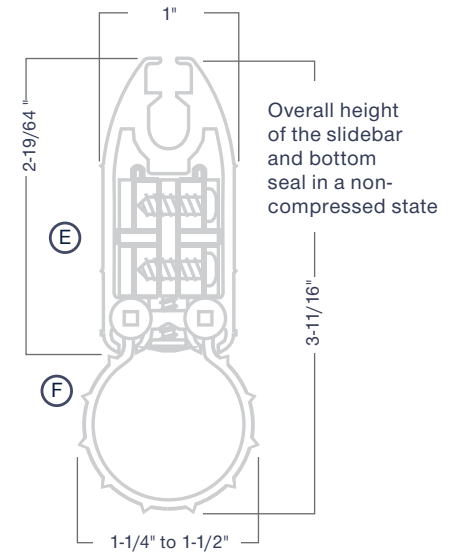
- A. Housing assembly (5-1/2" W x 5-1/2" H or 7-1/8" W x 7-1/8"H)
- B. 8 x 1" corrosion resistant fastener (color matched) 3 fasteners per end cap
- C. PVC coated fiberglass mesh or other (see mesh specifications)
- D. Standard side track complete with cover (1-3/4" W x 1-17/32" D)
- E. Slidebar complete with probe assembly
- F. Bottom seal - 4" shown (other options available)
- G. Mounting surfaces



Cross sectional view of the standard side track



Cross sectional view of the standard slidebar and 4" bottom seal



FOR ILLUSTRATIVE PURPOSES ONLY  
NOT DRAWN TO SCALE

All components are color matched except mesh\*

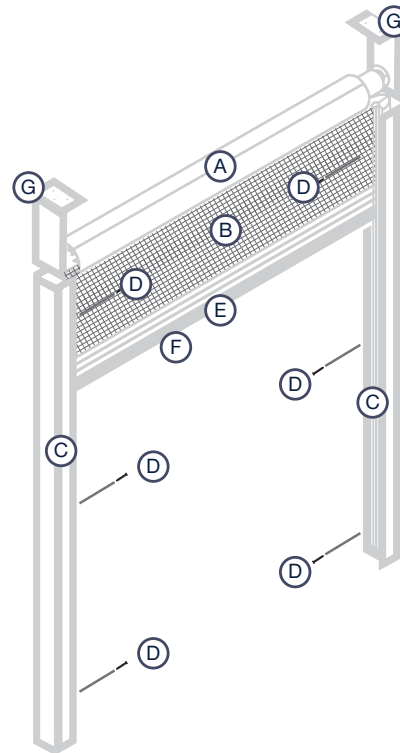
\*does not include wood grain - components are solid color

## Recessed Mount

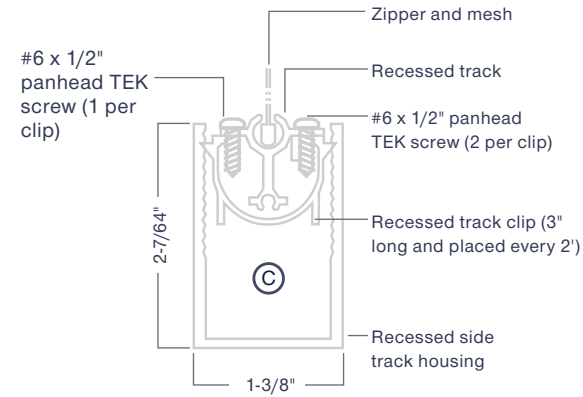
Motorized wall screen design specifications system with recessed side track (external assembled view)

### Parts Specs

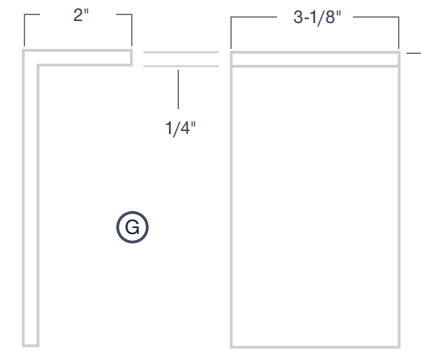
- A. Roller assembly (4" or 5") complete with inserts (left and right)
- B. PVC coated fiberglass mesh or other (see mesh specifications)
- C. Recessed side track assembly (1-3/8" W x 2-7/64" D)
- D. #8 or #10 corrosion resistant fastener. Type and length of screws may vary depending on type of mounting surface (minimum of 3 per side track and roller mounting angle)
- E. Slidebar complete with probe assembly
- F. Bottom seal - 4" shown (other options available)
- G. Roller mounting bracket (2" x 5-1/2" x 1/4" x 3-1/8" W)



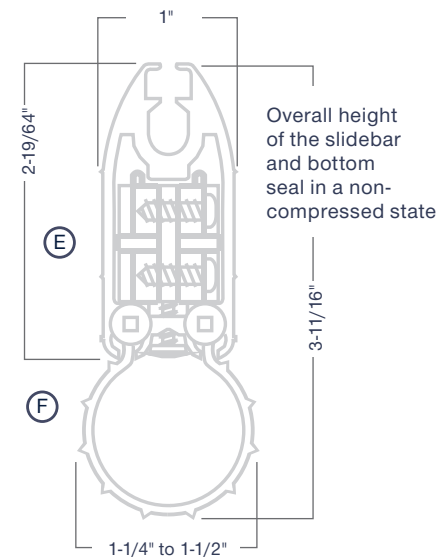
Cross sectional view of the fully assembled recessed side track



Roller mounting angle for 4" and 5" rollers



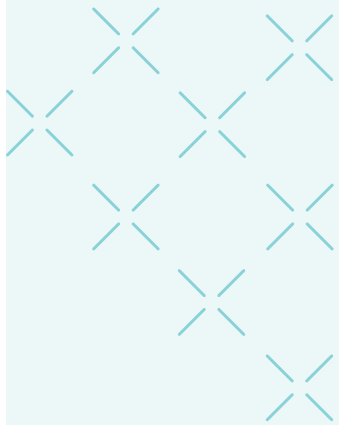
Cross sectional view of the slidebar and 4" bottom seal



FOR ILLUSTRATIVE PURPOSES ONLY  
NOT DRAWN TO SCALE

All components are color matched except mesh\*

\*does not include wood grain - components are solid color



**Corporate Office**

Phantom Mfg. (Int'l) Ltd.  
30451 Simpson Road  
Abbotsford, BC  
V2T 6C7 Canada

TF: 1-888-444-4142  
Tel: 1-604-855-3654  
phantom@phantomscreens.com  
**phantomscreens.com**

**USA Mail**  
P.O. Box 1907  
Sumas, WA  
98295-1907 USA

**Canada Mail**  
P.O. Box 2310  
Abbotsford, BC  
V2T 4X2 Canada

Contact your Phantom Screens  
Representative at **1-888-PHANTOM**

